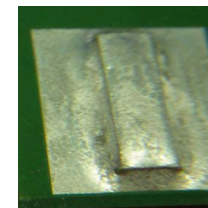
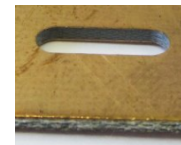
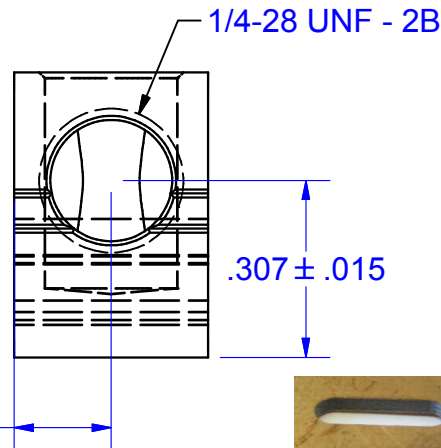
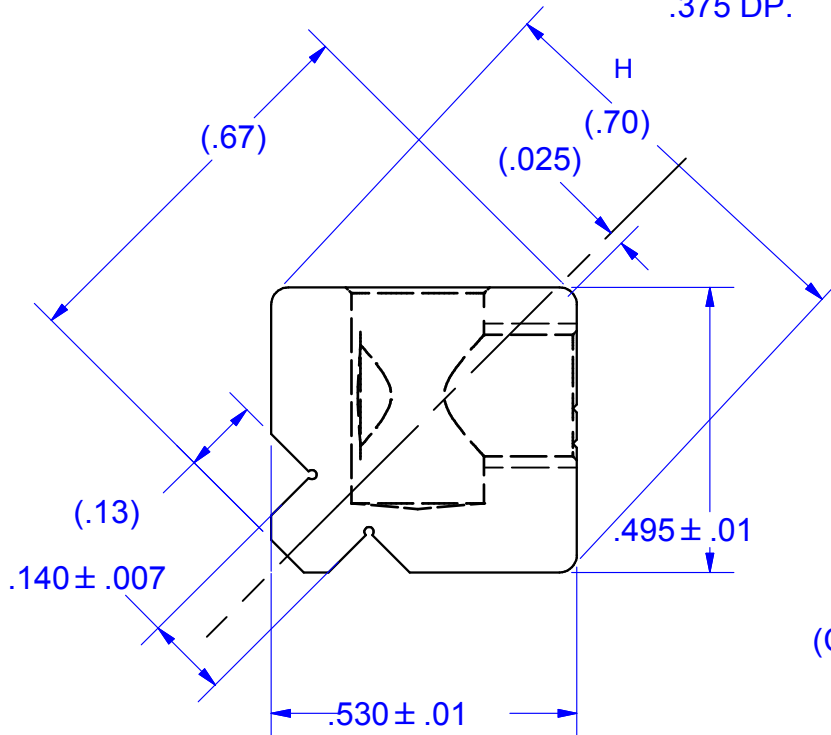
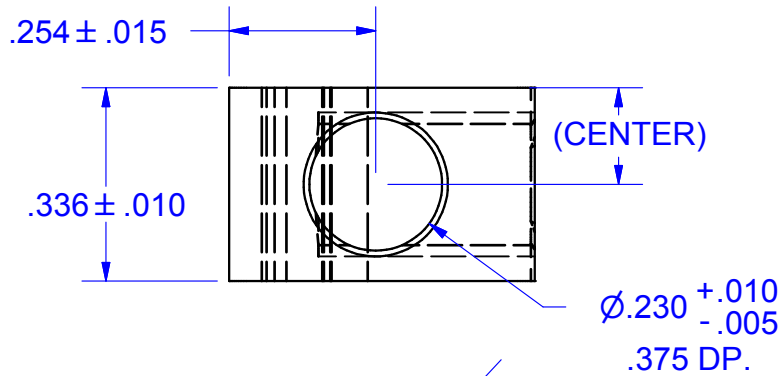


EVISSION HISTORY			
REV	DESCRIPTION	DATE	APPROVED
2	REDRAWN IN INVENTOR FORMAT ALSO ADD 14621 SCREW REF. INFO.	7/1/2011	TDS

**SMT / SMD - SURFACE MOUNTED 90 OR 0**



**THT - FOOT & SLOT MOUNTED  
45 DEGREE ORIENTATION**



**B6A-PCB-45-HEX (1/8" HEX SKT. SET SCREW)**

**B6A-PCB-45-HEX-M (3mm HEX SKT. SET SCREW)**

1. SOLDERABLE PCB TERMINAL AWG 6-18\* - CONSIDER USE OF FERRULE FOR SMALL OR FINE WIRES.
2. USE WITH STRANDED OR SOLID COPPER WIRE. 3. 1/4-28 SET SCREW WITH EITHER 1/8" th HEX KEY SOCKET OR 3mm HEX KEY SOCKET (SPECIFY).
4. THT FOOT MOUNT (45 DEGREE ORIENTATION) OR SMT / SMD MODE IN 90 / 0 DEGREE ORIENTATION. 5. CURRENT UP TO 85 AMPS DEPENDING ON WIRE SIZE & PAD DESIGN.
6. WAVE SOLDERABLE (THT) OR SOLDER PASTE SOLDERABLE (SMT).
7. SEE ADDITIONAL SPEC SHEETS FOR PAD DESIGN. 8. ALL ASSUMPTIONS TO BE TESTED BY CUSTOMER DUE TO MANY VARIATIONS IN IMPLEMENTATIONS. 9. LOW RESISTANCE.

THIS DRAWING AND DESIGN ARE THE PROPERTY OF INTERNATIONAL HYDRAULICS, INC., CLEVELAND, OHIO, AND MAY NOT BE DUPLICATED, USED FOR THE BASIS OF DESIGN OR MANUFACTURE WITHOUT THE WRITTEN PERMISSION OF INTERNATIONAL HYDRAULICS, INC., CLEVELAND, OHIO		INTERNATIONAL HYDRAULICS, INC.	
GENERAL TOLERANCES ±.015 (±0.038)		TITLE: <b>B6A-PCB-45-HEX (SALES)</b>	
MATERIAL: 6061-T6 XBXA-PCB-45	SCALE: 3:1	DRAWN BY: CDMR	DWG NO.: B6A-PCB-45-HEX(SALES)
FINISH: SEE NOTE	DATE: July 30 2014	REV: 2a SALES PRINT -NOT FOR MFG.	