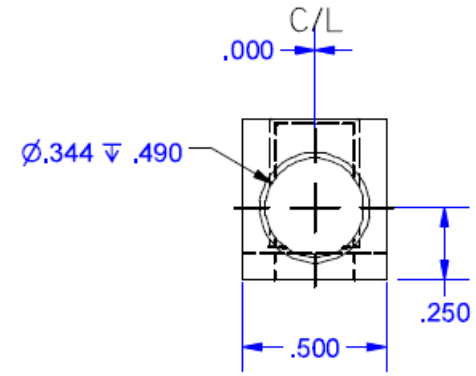
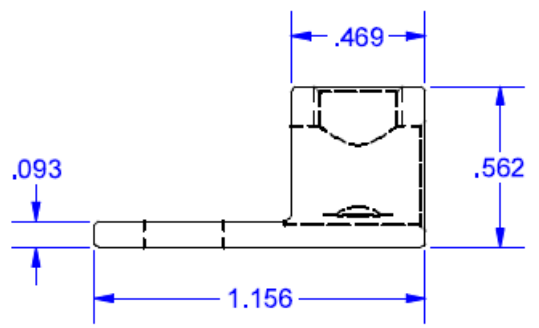


SCREW#12786
(STEEL)



MARKING
S2
IHI
2-14
CU9AL
UL LOGO
CSA LOGO

<small>THIS DRAWING AND DESIGN ARE THE PROPERTY OF INTERNATIONAL HYDRAULICS, INC., CLEVELAND, OHIO, AND MAY NOT BE REPLICATED, USED FOR THE BASIS OF DESIGN OR RE-MANUFACTURE WITHOUT THE WRITTEN PERMISSION OF INTERNATIONAL HYDRAULICS, INC., CLEVELAND, OHIO.</small>		INTERNATIONAL HYDRAULICS, INC.		
GENERAL TOLERANCES ±.015 (±0.038)		TITLE: S2 CONNECTOR		
MATERIAL: 6061-T6 (EXT1011)	SIZE:	DRAWN BY: TDS	DWG NO.: S2 (SALES)	REV:
FINISH: TIN PLATE EMS 131	DATE: 4/22/09	THIS IS A CAD DRAWING, DO NOT MANUALLY REVISE		