

THIS DRAWING IS UNPUBLISHED. RELEASED FOR PUBLICATION
 © COPYRIGHT - By - ALL RIGHTS RESERVED.

| LOC | | DIST | | REVISIONS | | | |
|-----|-----|---------------------------|-----------|-----------|------|--|--|
| P | LTR | DESCRIPTION | DATE | DWN | APVD | | |
| AD | 00 | | | | | | |
| | P4 | REVISED PER ECO-14-002850 | 27FEB2014 | NK | RH | | |

SPECIFICATIONS:

MATERIALS:
 CASE: PBT UL94HB, BLACK.
 COVER: STEEL ,TIN PLATE.
 ACTUATOR BUTTON: SEE P/N TABLE.
 MOVING CONTACT: PHOS BRONZE, SILVER.
 FIXED CONTACT/TERMINAL: BRASS, SILVER OVER NICKEL.

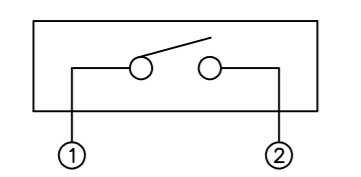
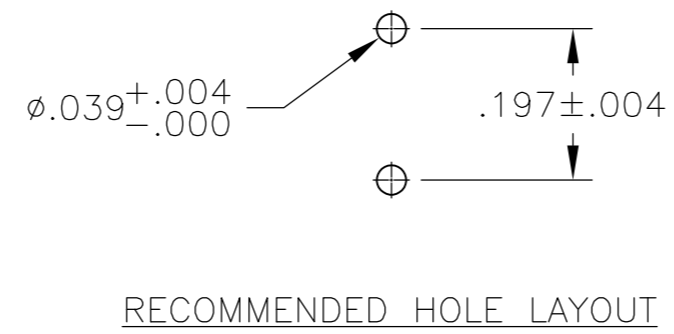
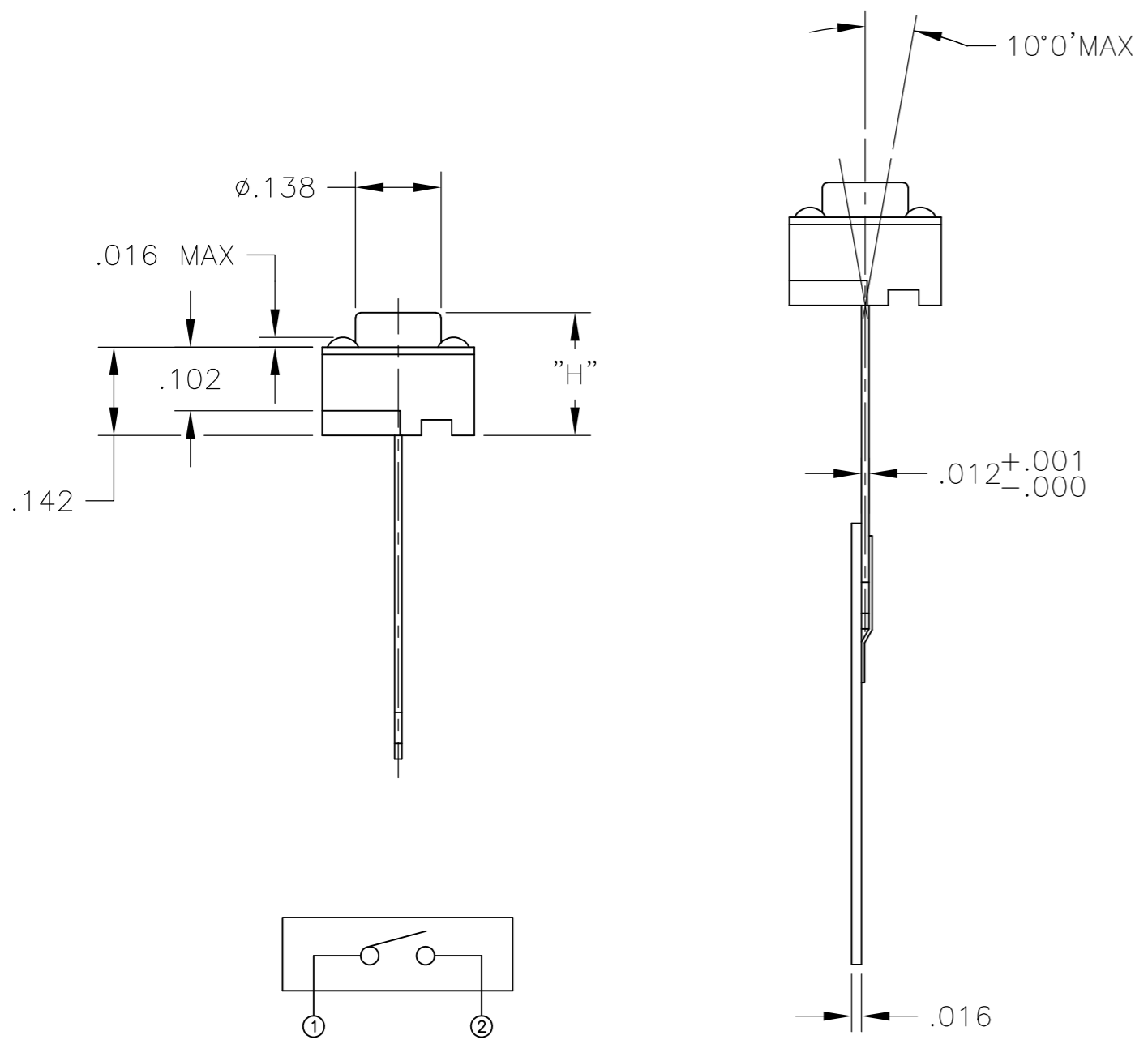
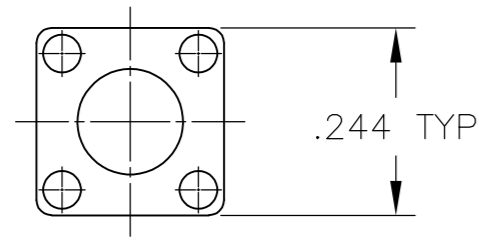
ELECTRICAL:
 MAX CONTACT RATING: 50MILLIAMPS@24V DC
 MIN CONTACT RATING: 10MICROAMPS@1V DC
 CONTACT RESISTANCE: 100 MILLIOHMS MAX.
 INSULATION RESISTANCE: 100 MEGOHMS MIN. @ 100 VDC.
 DIELECTRIC STRENGTH: 500 VAC 50/60 Hz FOR 1 MINUTE
 LIFE EXPECTANCY: 100,000 CYCLES.

MECHANICAL:
 ACTUATION FORCE: SEE P/N TABLE.
 ACTUATION TRAVEL: .010 IN, (0.25 mm) APPROX.

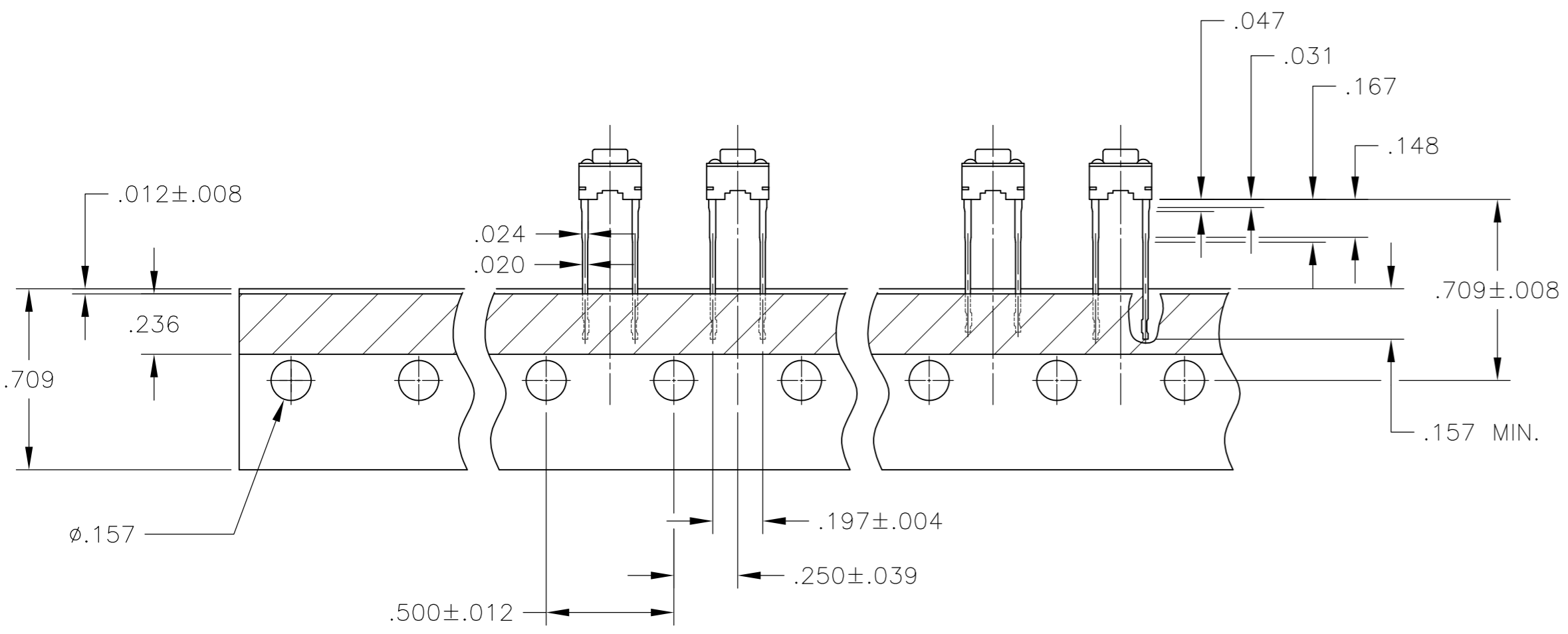
ENVIRONMENTAL:
 OPERATING TEMPERATURE: -35°C TO +105°C
 STORAGE TEMPERATURE: -35°C TO +85°C

SOLDERABILITY:
 SOLDERABILITY EIA-364-52,CLASS 1,CATEGORY 2
 SOLDER HEAT RESISTANCE PER 109-202 CONDITION B

- 1 ALL MATERIALS AND FINISHES SHALL COMPLY WITH EU DIRECTIVE 2002/95/EC OF 27JAN2003 (ROHS)
- 2 RADIAL TAPE PACKAGING PER AUGAT SPEC.#295.
- 3 SPECIFICATIONS SUBJECT TO CHANGE WITHOUT NOTIFICATION.



CIRCUIT DIAGRAM



| | | | | | | |
|----------|-----------------|-------------------|----------------|-------------|----------|-------------|
| | 100 +/-50 grams | Nylon 66 | BROWN | .197 (5.0) | FSM4JBRT | 1571010-2 |
| | 160 +/-50 grams | Nylon 66 | BLACK | .512 (13.0) | FSM14JRT | 1571010-1 |
| OBSOLETE | 260 +/-50 grams | PBT | RED | .374 (9.5) | FSM8JART | 147871-1 |
| | 160 +/-50 grams | PBT | BLACK | .374 (9.5) | FSM8JRT | 147694-1 |
| OBSOLETE | 260 +/-50 grams | Nylon 66 | RED | .276 (7.0) | FSM6JART | 1571402-1 |
| OBSOLETE | 160 +/-50 grams | Nylon 66 | BLUE | .276 (7.0) | FSM6JRT | 4-1437565-8 |
| | 260 +/-50 grams | PBT | RED | .197 (5.0) | FSM4JART | 147997-1 |
| | 160 +/-50 grams | Nylon 66 | BLACK | .197 (5.0) | FSM4JRT | 4-1437565-0 |
| | 160 +/-50 grams | PBT | NATURAL | 0.169 (4.3) | FSM2JRT | 2-1437565-6 |
| | 260 +/-50 grams | PBT | RED | 0.169 (4.3) | FSM2JART | 2-1437565-2 |
| | ACTUATION FORCE | ACTUATOR MATERIAL | ACTUATOR COLOR | DIM H | T&B P/N | PART NUMBER |

| | | | | | |
|---|--|--------------|--------------------|---------|------------------|
| THIS DRAWING IS A CONTROLLED DOCUMENT. | | DWN | M.BINNER | 29SEP05 | |
| DIMENSIONS: INCHES | | CHK | M.SARVER | 29SEP05 | |
| TOLERANCES UNLESS OTHERWISE SPECIFIED: | | APVD | M.SARVER | 29SEP05 | |
| 0 PLC ± - 1 PLC ± - 2 PLC ± - 3 PLC ± .012 4 PLC ± - ANGLES ± 1° | | PRODUCT SPEC | NAME | | |
| MATERIAL SEE SPECIFICATIONS | | FINISH | SEE SPECIFICATIONS | | APPLICATION SPEC |
| CUSTOMER DRAWING | | WEIGHT | - | | SIZE |
| | | SCALE | A2 00779 | | CAGE CODE |
| | | SHEET | 1 of 1 | | DRAWING NO |
| | | REV | P4 | | RESTRICTED TO |

2-1437565-2

A

Mouser Electronics

Authorized Distributor

Click to View Pricing, Inventory, Delivery & Lifecycle Information:

[TE Connectivity:](#)

[FSM2JART](#)